

# Hercules Encoders

## Series N25

### Heavy Duty Incremental Rotary Shaft Encoder

- Enclosure: N25-2.5" Dia. NEMA 6P, IEC IP 67 type Sealing Servo, Flush or Flanged Mounting
- Vibration-resistant Anti-Jitter Circuitry, Shatterproof Metal Code Discs
- Shielded ABEC 5 Stainless Steel Spindle Bearings, Standard and Self-Mounting options
- Low Supply Current Requirement - 100 milliamps typical per encoder, maximum of 120 mA
- Operating Voltage Flexibility - 8 to 28 Vdc or 5 Vdc TTL Output, 5V or 8 - 15V with Line Driver
- Operating Temperature Rating designed for extremes, from -40° to +85° C (-40° to +185° F)



## Specifications

### Mechanical

Shaft Speed	6000 RPM maximum
Shaft Direction	Bidirectional
Standard Shaft Sizes	.3747", .4997"
Shaft Extension(s)	Std 0.875", .50 x .05" flat
Shaft Seals	Neoprene or PTFE Options
Mounting	Refer to dimensional drawings
Bearings	.5000" ID ABEC 5 Spindle
Radial Loading	90 lbs. Operating
Axial Loading	45 lbs. Operating
Accuracy	±0.1° of Shaft Rotation Typical
Housing	Black Anodized Aluminum
Weight (N25)	22 oz.
Connector	6, 7, 10 Pin MS3102E or 18" Cable Out

### Electrical

Pulse Rate	15 kHz typical, up to 200 kHz available
Outputs	NPN w/ 3.3K pullup or open collector PNP sourcing Line Driver (with complementary outputs)
Output Ratings	
Open Collector Transistor	40 Vdc maximum
Line Drivers 8-15 Vdc	15 Vdc maximum
5 Vdc TTL	5.5 Vdc maximum
Supply Voltage	8 to 28 Vdc 5 Vdc TTL output
Supply Current	100 mA typical, 120 mA maximum
Current Sinking	250 mA maximum
Output Duty Cycle	50/50 w/ ±20% typical tolerance Tighter to ±5% by spec
Pulsed Outputs	5-10 µsec or 25-35 µsec
Rise/Fall Times	1 µsec typical, other options available
	See Wiring Diagrams for Pin Outs

### Environmental

Operating Temp.	-40° to +85° C (-40° to +185° F)
Shock	50 g's for 11 Milliseconds
Vibration	5 to 2000 Hertz at 20 g's
Humidity	100% Relative Humidity
Enclosures (Sealed)	NEMA 6P, IEC IP 67 — Water-tight

### Electrical Connections

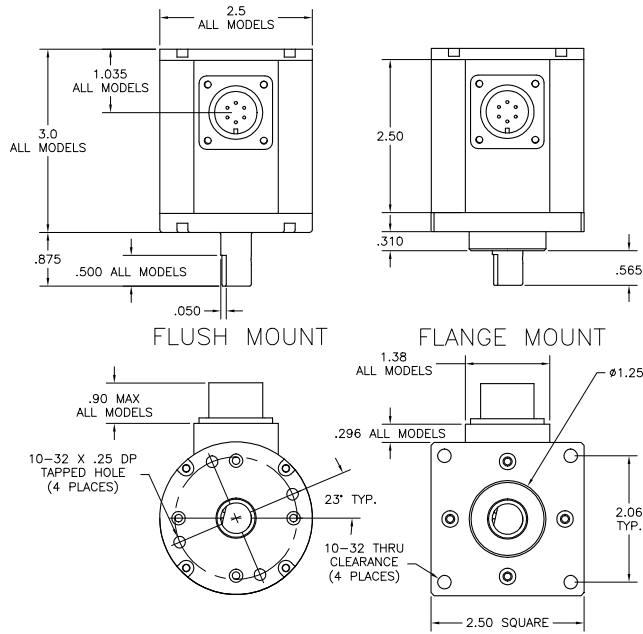
Function	6 Pin	7 Pin	10 Pin	Cable Out	Color
+V	B	D	D	D	Red
Common	A	F	F	F	Black
Channel A	D	A	A	A	Blue
Channel B	E	B	B	B	Brown
Channel A	C	E	H	E	White
Channel B	F	G	I	G	Green
Index	C or E*	C	C	C	White
Index	F	G	J	G	Green

\* C is standard; for outputs "KI" or "LI" (line driver with index), index pin is E

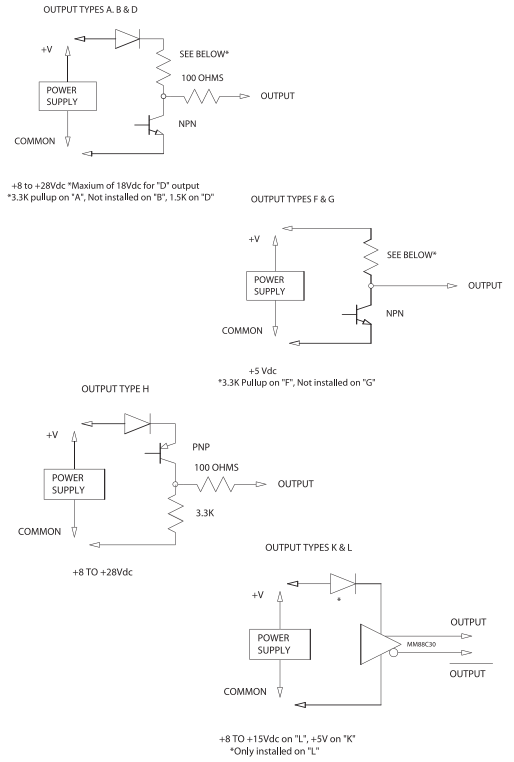
For the latest specifications visit our website  
[www.herculesencoders.com](http://www.herculesencoders.com)

# Dimensional Drawings

## Series N25 Standard



# Wire Drawings



# Ordering Information

**N25SA — 1 1 2 — A Q 0500 — AI**

**Size**  
N25SA=Sealed (Elastomer)  
N25TA=Sealed (PTFE)

**Mounting Style**  
1=Flush mount  
3=Flange mount

**Shaft Style**  
1=3/8" Standard Shaft  
2=1/2" Standard Shaft

**Connector Style**  
1=6 Pin rear mounted  
2= 6 Pin side mounted  
3= 7 Pin rear mounted  
4= 7 Pin side mounted  
5=10 Pin rear mounted  
6=10 Pin side mounted  
7=Cable rear mounted  
8=Cable side mounted

**Channel Outputs**  
(All outputs available with complementary outputs)  
A=NPN w/Pullup Res.  
B=NPN Open Collector  
F=5Vdc w/Pullup Res.  
G=5Vdc Open Collector  
H=PNP Sourcing Output  
K=5Vdc Line Driver  
L=8 to 15 Vdc Line Driver

**Channel Types**  
Q=Quadrature Outputs  
P=1st Output CW Pulses  
2nd Output CCW Pulses  
U=1st Output Pulse Train  
2nd Output Logic High  
For CW Rotation, Low  
For CCW Rotation  
I=Index Pulse

**Index Channel**  
(same types as Channel Outputs)

**PPR**  
Channel Types "U" "P" & "Q"

0180	0186	0192	0200
0250	0256	0400	0500
0512	1000	1024	

If "P" or "U" add (Square Wave)  
1440 2000 2048

If "P" or "U" add (Pulsed)  
1448 4000 4096

*Consult factory for PPR not listed*